

SECTION C-C
SCALE, 1" = 1'-0"

DESIGN NOTES

CONCRETE MIN. STRENGTH- 5500 PSI @ 28 DAYS
 CONCRETE FOR FOOTINGS AND WING WALLS SHALL HAVE A MINIMUM COMPRESSIVE STRENGTH OF 4000 PSI.
 STEEL REINFORCEMENT - ASTM A615-83, GRADE 60
 STEEL REINFORCEMENT - ASTM A185 WELDED WIRE FY-65 KSI
 WHEEL LOADING AASHTO - HS 20-44
 COVER TO STEEL : 2" UNLESS NOTED OTHERWISE
 FILL RANGE 0' - 6" MIN. 1' - 6" MAX.
 UNIT WEIGHT OF EARTH - 120 PCF
 ACTIVE EARTH PRESSURE COEFFICIENT - 0.5
 SOIL DEAD LOAD REDUCTION FACTOR - 1
 ASSUMED ALLOWABLE SOIL BEARING = 3000 PSF (VERIFY)
 EXTERIOR GROUND WATER IS AT FINISHED GRADE
 DESIGN IN ACCORDANCE WITH AASHTO SPEC. FOR HIGHWAY BRIDGES.
 ASTM C789 OR C850, AND ACI 318

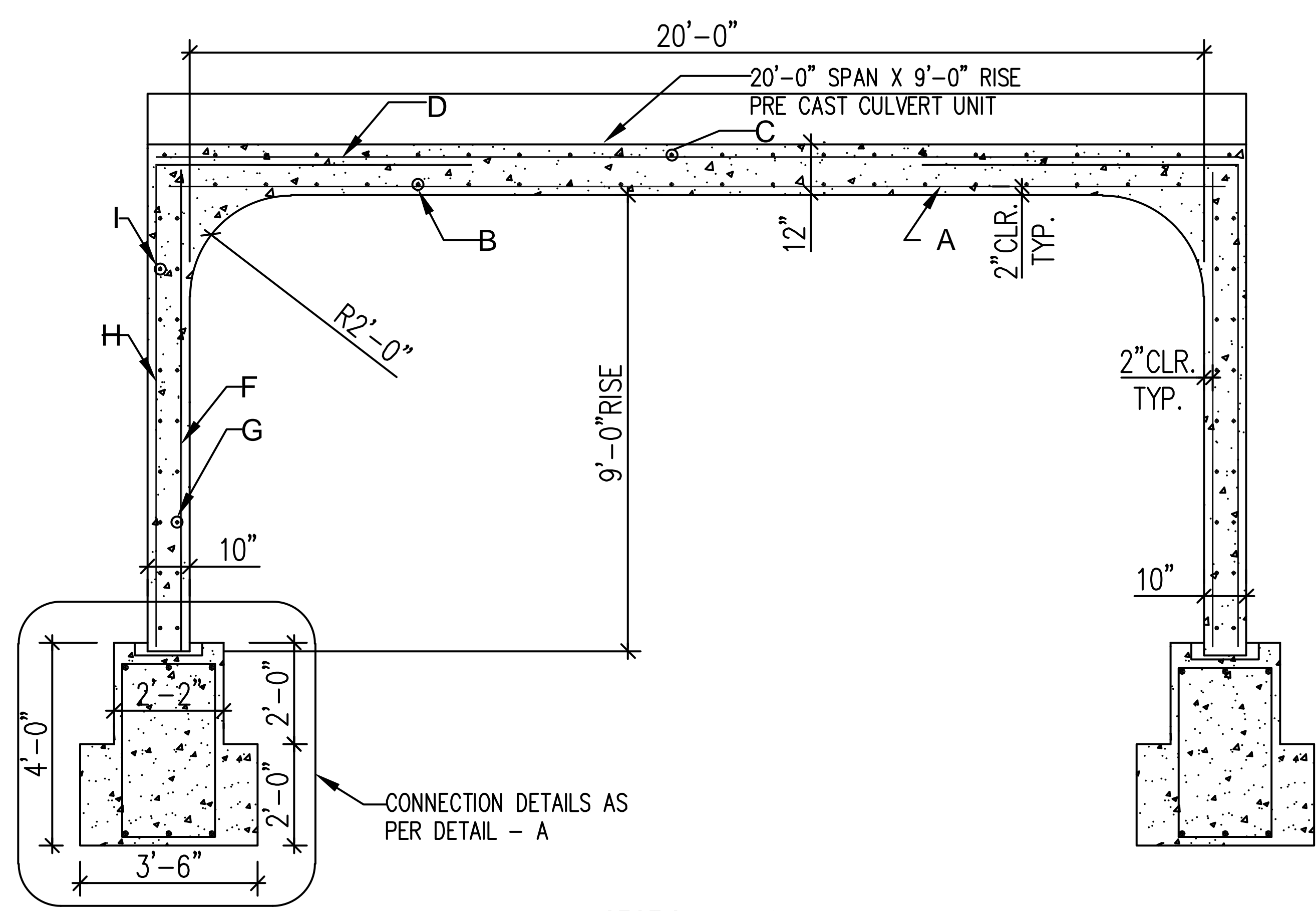
LOAD FACTOR DESIGN

LOAD FACTORS
 DEAD LOAD 1.5
 LIVE LOAD 2.17
 IMPACT PER AASHTO 3.8.2.2
 EARTH PRESSURE HOR. 1.69 VERT. 1.5

CAPACITY REDUCTION FACTORS

SHEAR 0.85
 MOMENT 0.90

MAXIMUM EQUIVALENT DRY EARTH PRESSURE 60 PSF/FT.
 MINIMUM EQUIVALENT DRY EARTH PRESSURE 30 PSF/FT.
 MAXIMUM EQUIVALENT SATURATED EARTH PRESSURE 91.2 PSF/FT.
 MINIMUM EQUIVALENT SATURATED EARTH PRESSURE 45.6 PSF/FT.



SECTION A-A
SCALE, 1" = 1'-0"

BAR LIST						
MARK	SIZE	SPCG	TYPE	LENGTH	X	Y
A	#7	7"	STR	20'-10"	-	-
B	#5	10"	STR	7'-8"	-	-
C	#4	12"	STR	7'-8"	-	-
D	#4	12"	STR	21'-4"	-	-
F	#5	10"	STR	9'-3"	-	-
G	#4	12"	STR	7'-8"	-	-
H	#5	5"	L	-	6'-1"	9'-8"
I	#4	12"	STR	7'-8"	-	-

